

# Twin City Fan & Blower

BULLETIN AX700-A

April 2003

## *MANCOOLER FANS*

TYPE TCPM & TCSM



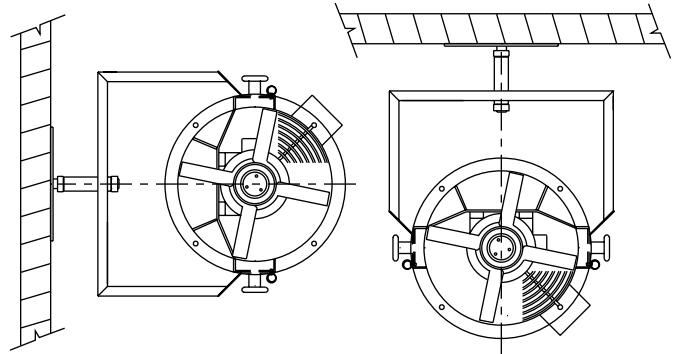
# Mancooler Fans

## Portable Mount

Designed to withstand heavy industrial use, the Twin City Fan & Blower portable mancooler provides a quality constructed axial flow fan mounted on a movable base. The fan design is similar to the Twin City Fan duct fan (Model TCDF) with a one-piece cast aluminum wheel mounted directly on the totally enclosed motor shaft. Both the inlet and the outlet are provided with screens as standard, fabricated to meet OSHA safety requirements. For ease of wiring, all motor leads are extended to the housing exterior and terminated there in a junction box. The fan's swivel base allows for a full 360° rotation, thus providing airflow at any angle. A locking quadrant then holds the fan firmly in place. A solid mounting saddle connects the fan to the portable base. The base includes four molded rubber wheels — two locking and two swivel type — for ease of movement within your facility. A lifting lug on top of the fan is provided for further maneuverability from hoisting with a crane hook.

## Stationary Mount

The Twin City Fan & Blower stationary mancooler can provide spot cooling or area ventilation while being mounted in an out-of-the-way location. Designed for either wall, column, ceiling or floor mounting, the stationary mancooler can be adjusted for airflow in any direction. Similar in construction to its portable counterpart, the stationary mancooler is provided with a predrilled base plate for mounting to whatever structure is desired.



Wall Mount

Floor/Ceiling Mount

UNIT SIZE	CFM	RPM	OUTLET VELOCITY (FPM)	THROW DISTANCE (FT)	BRAKE HP	MOTOR HP	UNIT WEIGHT (LBS.)	
							PORTABLE	STATIONARY
16DTC	3000	1750	2107	43	0.25	1/2	92	102
18DTC	3580	1750	1990	46	0.23	1/2	99	109
21DTC	6900	1750	2819	75	0.88	1	155	165
24DTC	6325	1170	1982	60	0.40	1/2	187	197
	9470	1750	2968	90	1.35	2	226	236
28DTC	10900	1170	2506	90	1.03	1 1/2	307	317
	16300	1750	3745	135	3.44	5	320	330
30DTC	13000	1170	2606	100	1.43	1 1/2	340	350
	19450	1750	3899	150	4.78	5	353	363
32DTC	14200	1170	2504	100	1.53	2	386	396
	21300	1750	3755	150	5.00	5	386	396
36DTC	18100	1170	2526	115	1.96	2	466	476
	27000	1750	3766	170	6.53	7 1/2	517	527
42DTC	18800	880	1876	100	0.96	1 1/2	658	668
	25100	1170	2505	135	2.27	3	709	719
	37500	1750	3743	200	7.59	10	733	743
48DTC	31000	880	2381	145	3.12	5	985	995
	41200	1170	3164	195	7.32	7 1/2	985	995

NOTE: Throw distance is for a terminal velocity of 150 FPM.

## Options

**Disconnect Switch** — Provided in place of the externally mounted conduit box, a disconnect switch can be supplied for safety when inspecting and maintaining the fan.

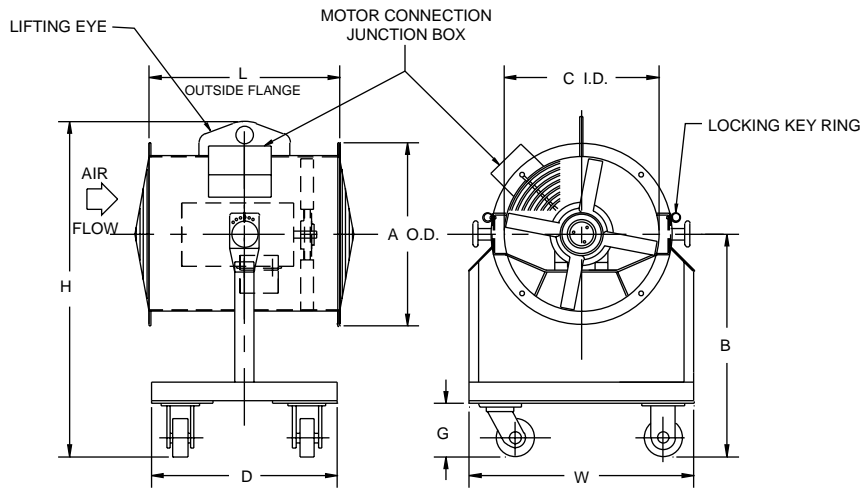
**Extension Cord** — If desired, a heavy electrical cord with plug can be provided to extend whatever length is desired. A hook is attached to the fan exterior for convenient hanging of this extension cord.

**Special Casters** — Of the V-groove type, special metal or special diameter are available. Refer to your Twin City Fan & Blower salesperson for specifics.

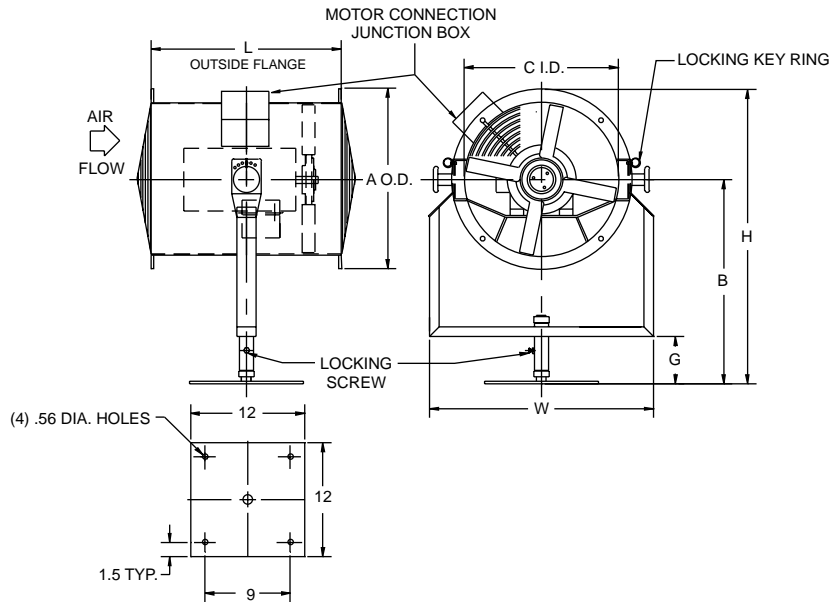
**Special Motors** — Available in whatever modification is desired. Refer to your Twin City Fan & Blower salesperson for specifics.

# Dimensional Data

## Portable Mount



## Stationary Mount



FAN SIZE	A	B		C	D	H		L	W	G	
		PORT.	STAT.			PORT.	STAT.			PORT.	STAT.
16	19.16	24.00	22.25	16.16	30.00	36.63	31.88	20.00	25.00	5.63	5.00
18	21.16	24.00	23.00	18.16	30.00	37.63	33.63	20.00	27.13	5.63	5.00
21	24.19	26.00	24.25	21.19	30.00	41.25	36.38	20.25	31.00	5.63	4.50
24	28.19	29.00	25.50	24.19	38.25	45.63	39.13	20.50	34.13	7.50	4.50
28	31.25	32.00	28.25	28.25	38.25	50.63	43.88	24.50	38.25	7.50	4.50
30	33.25	33.00	29.00	30.25	38.25	52.63	45.63	24.50	40.25	7.50	4.50
32	35.25	33.00	30.00	32.25	38.25	53.63	47.63	24.50	42.25	7.50	4.50
36	39.25	36.00	32.00	36.25	38.25	58.63	51.63	25.00	47.31	7.50	4.00
42	45.88	40.00	35.25	42.88	40.25	66.00	58.25	26.75	54.00	7.50	4.00
48	51.88	43.00	38.75	48.88	44.25	72.00	64.75	30.00	60.75	7.50	4.00