

BIFURCATED AXIAL FANS

Cylindrical & Conical Series

- 9 impeller diameters
- 35 models
- Air temperature to 250°C
- Speed options
- High quality construction

For Hostile Environments



BIFURCATED

AXIAL FANS

Elta Bifurcated axial fans are quality, direct motor driven units, specially developed for handling hostile air conditions.

Hot, dust laden air, corrosive fumes, or gases can all be handled, although detailed specifications should be discussed with Elta at the time of selection. The units are designed, so that the air throughput totally by-passes the motor, avoiding any detrimental effect to the motor life. Two alternative model ranges and temperature options are available with cylindrical or conical cases.

Cylindrical Range

400 to 1250mm diameter

Elta cylindrically cased bifurcated axial fans, are available in a wide selection of impeller diameters and speeds and have a single entry motor tunnel into the fan casing. The motor tunnel must be either mounted with its opening vertically upwards, or horizontal to ensure adequate motor cooling.

NB. When ordering, please specify standard, or high temperature model.

- 9 impeller sizes
- Wide selection of air performances
- 2 temperature options
- 50Hz and 60Hz operation



Standard	High Temperatures
150°C	200°C

Conical Range

315 to 630mm diameter

Elta conical bifurcated axial units have a special, conically profiled fan casing to maximise the available space and size of drive motor for a given impeller diameter, without causing undue restriction of airflow. High motor outputs and therefore fan performances are achieved. The motor tunnel traverses the fan casing, with entry from either side.

NB. When ordering, please specify standard, or high temperature model.

- 5 impeller sizes
- Higher pressure and airflows
- 2 temperature options
- 50Hz and 60Hz operation

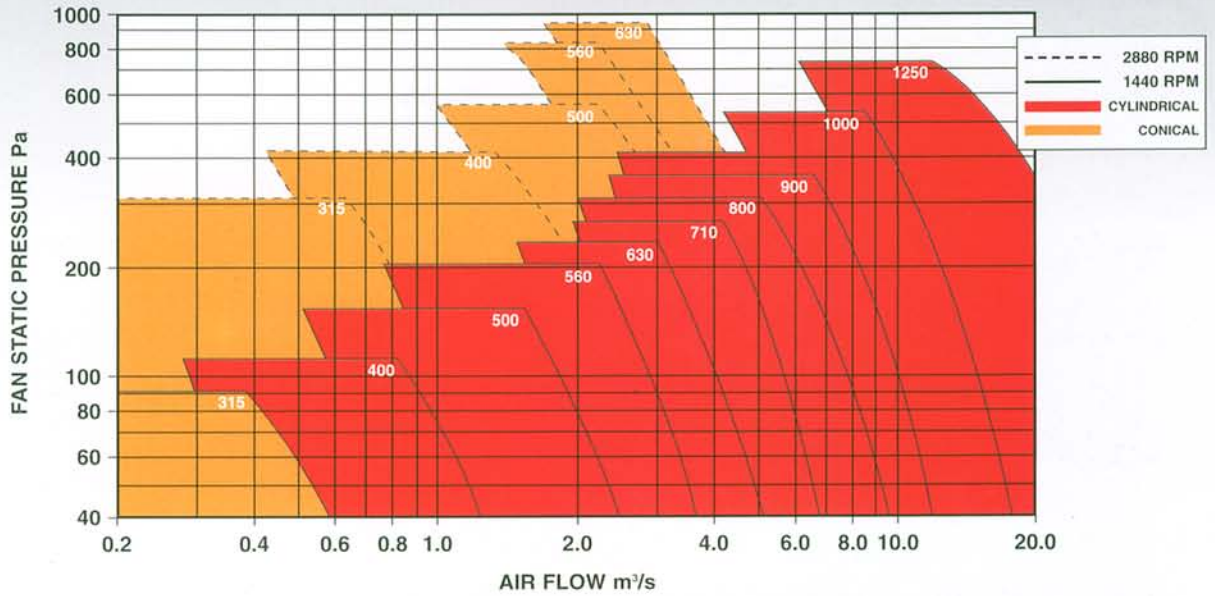


Standard	High Temperatures
150°C	250°C

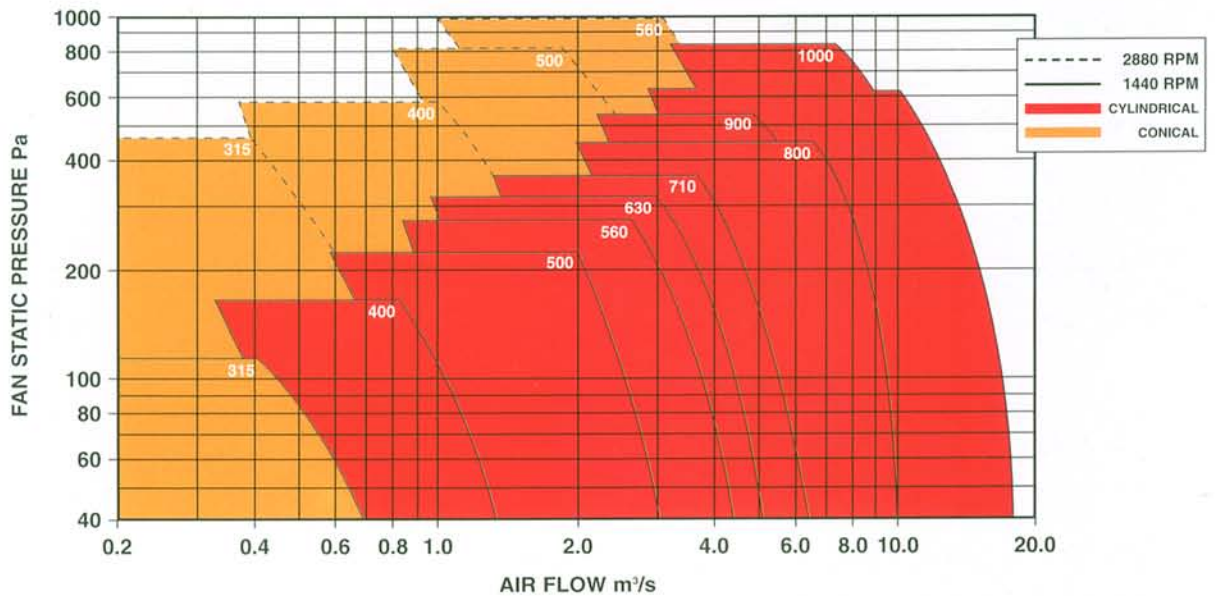
Airflow Performance

For alternative selections please discuss with Elta

50Hz



60Hz



Accessories

Full details of accessories are available in the standard axial catalogue EL2

- Flanges
- Inlet cones
- Flexible collar and clips
- Anti-vibration mounts
- Mounting feet
- Non-return dampers
- Wire guards

General Specification

Electrical Inputs

380/415V - 3ph - 50Hz or 440/460V - 3ph - 60Hz

N.B. Single phase 220/240V models available for the smaller impeller versions - details on request.

Material and Finish

Impeller: Aluminium, adjustable pitch, efficient aerofoil

Casing: Steel fabricated and welded, hot dipped galvanised; with shaft seal

Motor: Quality, standard metric motor (TEFC)

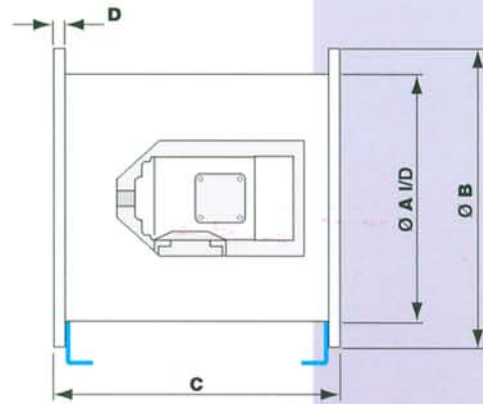
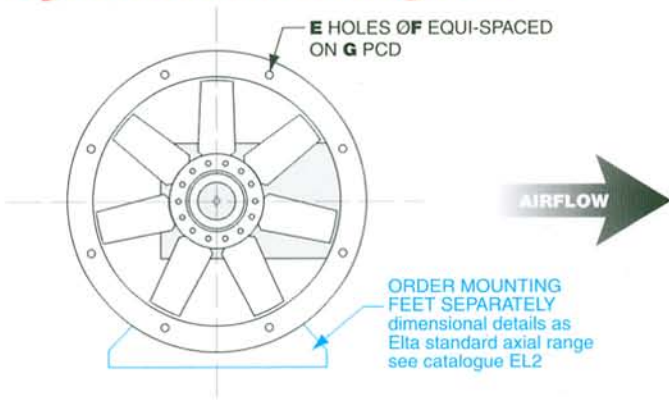


Dimensional Details



Cylindrical Range

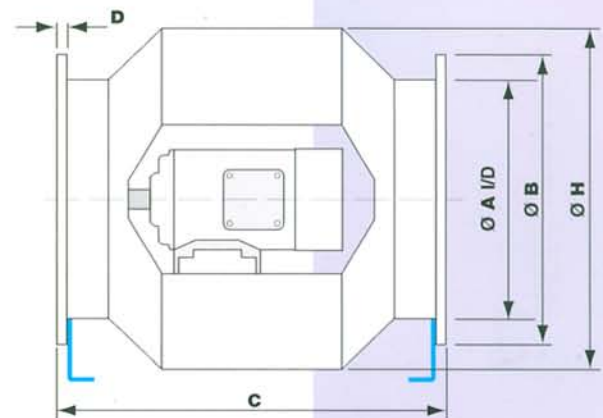
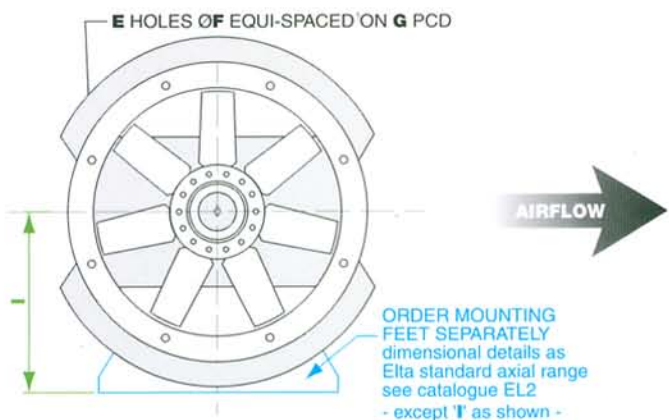
ALL DIMENSIONS IN mm



A	MOTOR FRAME*	B	C	D	E	F	G	WEIGHT KGS	ANTI-VIBRATION MOUNT
400	71/80	475	450	3.0	8	12	450	27/32	S2B
500	71/80/90	585	450/450/570	3.0	12	12	560	41/45/56	S2
560	71/80/90/100	645	450/450/570/570	3.0	12	12	620	48/52/63/70	S2
630	80/90/100/112	715	450/570/570/570	3.0	12	12	690	59/72/78/86	S2/S2/S2G/S2G
710	90/100/112	795	570	3.0	16	12	770	74/81/91	S2G/S2G/S2Y
800	90/100/112/132	885	570/570/570/710	3.0	16	12	860	80/86/96/134	S2G/S2Y/S2Y/S3B
900	112/132	1000	570/710	4.0	16	15	970	134/175	S3B
1000	112/132/160	1100	590/790/840	4.0/5.0/5.0	16	15	1070	147/196/287	S3B/S3G/S3G
1250	132/160/180	1350	790/840/1000	5.0	20	15	1320	239/326/491	S3G

* Motor frame selection depends on air performance selected - please discuss with Elta

Conical Range



A	MOTOR FRAME*	B	C	D	E	F	G	H	I	WEIGHT KGS	ANTI-VIBRATION MOUNT
315	71	380	500	3.0	8	10	355	460	250	25	S2B
400	90	485	650	3.0	8	12	450	570	305	45	S2
500	100/112	585	710	5.0	12	12	560	700	370	64/74	S2
560	112/132	645	710/790	5.0	12	12	620	760	420	81/102	S2G/S2Y
630	132	715	790	5.0	12	12	690	880	460	107	S2Y

* Motor frame selection depends on air performance selected - please discuss with Elta

BIF 01/10/03 © Elta Fans

Elta Fans Limited (Applied Technologies)
17 Barnes Wallis Road, Segensworth East Industrial Estate,
Fareham, Hampshire, PO15 5ST England.
Tel: +44 (0) 1489 566500 Fax: +44 (0) 1489 566555

Elta Fans Limited (Building Services)
1 Peartree Industrial Park, Peartree Lane,
Dudley, West Midlands, DY2 0UW England.
Tel: +44 (0) 1384 453200 Fax: +44 (0) 1384 453210

E-mail: mailbox@eltafans.co.uk Website: www.eltafans.com A member of the Elta Group